



PM60A

MARITIME SATELLITE COMMUNICATION ANTENNA

Application:

Internet access, Real-time Data Monitoring, VOIP, Video conference, guidance of remote maintenance fleet management, big data platform

Features:

- * Ensure Seamless Internet Access, automatically switching between VSAT and 4G System
- * Support blacklist and whitelist setting
- * Optional Access Control between local and remote, firewall ensures data security
- * Support users check detailed bill manually and automatically
- * Detailed List from Satellite Operator to ensure clear consumption

Modem supported:

IDirect, Gilat, Hughes, SatPath, UHP, Newtec (Other Modems can be required to match)

Shaanxi Probecom Microwave Technology Co., Ltd

ADD: Floor 12, Inland Port Mansion, Xi'an International Trade and Logistic Park, Xi'an, Shaanxi, China

<http://www.probecom.cn> <http://www.probecom.com>

Tel: 0086 29 88451625, 0086 29 88451755 Fax: 0086 29 88860260 E-mail: sales@probecom.cn, sales@probecom.com

Copyright©2021 Probecom



Mechanical Specification	
Model	PM60A
Dish Diameter:	64 cm(25")
Weight:	40KG(88lbs)
Radom Size:	78 X 80 cm (31" X 31.5")
Radom Material:	ASA
Antenna Stabilization	
Operating Platform:	3-Axis Stabilized+Auto Skew
Azimuth Range:	0° to 690°/Unlimited

Shaanxi Probecom Microwave Technology Co., Ltd

ADD: Floor 12, Inland Port Mansion, Xi'an International Trade and Logistic Park, Xi 'an, Shaanxi, China

<http://www.probecom.cn> <http://www.probecom.com>

Tel:0086 29 88451625,0086 29 88451755 Fax:0086 29 88860260 E-mail:sales@probecom.cn, sales@probecom.com

Elevation Range:	-10° to 115°
Cross Level Range:	± 30°
Skew Range:	Automatic, 0° to 240°
Position Acquisition:	Built-in GNSS (GPS/Glonass/Galileo/Beidou)
Ship Motion Support:	Roll: ± 20° @8~12 sec
	Pitch: ± 10° @6~12 sec
	Yaw: ± 8° @15~20 sec
Tracking Accuracy:	Automatic tracking level ≤1.0dB (R.M.S)
Operating Specification	
Rx Frequency:	10.70 ~ 12.75 GHz
Rx Gain:	36dBi@12.5GHz
Tx Frequency:	13.75 ~ 14.5 GHz
Tx Gain:	37.2dBi@14.25 GHz
G/T:	15.0dB/K (Clear Sky, 30° Elevation)
POL:	Cross-pol only
Cross Pol Isolation:	≥30 dB
LNB:	Universal, PLL LNB
BUC:	6W (4W/8W option)
Antenna Control Unit	
Dimensions (WxDxH):	48.2 X 30 X 4.5 cm(19 inch IU standard chassis design)
Weight:	3.55 kg
Display:	256 X 64 OLED
Modem Interface:	Ethernet/RS-232C
Modem Protocol:	Open AMIP
Power requirement:	100-230VAC 50-60Hz
Built-in Built-in device:	6 port switch
Modem Support:	IDirect, Gilat, Hughes, SatPath, UHP, Newtec(Other Modems can be required to match)
Working Environment	
Operating Temperature:	-25° ~ 55°C
Storage Temperature:	-30° ~ 85°C
Humidity:	Up to 100% @ 40°C
Wind Speed:	60m/sec max from any direction
Water Proof:	IP56

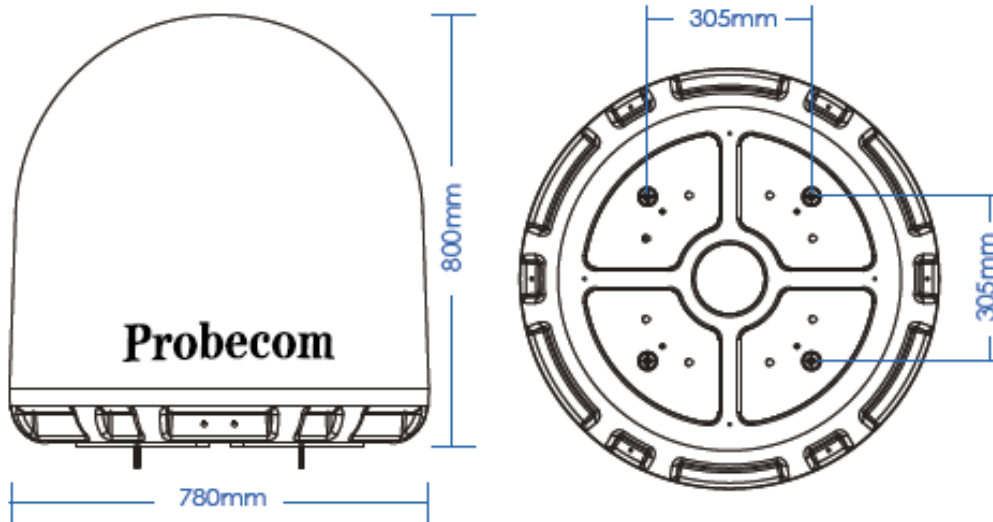
Shaanxi Probecom Microwave Technology Co., Ltd

ADD: Floor 12, Inland Port Mansion, Xi'an International Trade and Logistic Park, Xi 'an, Shaanxi, China

<http://www.probecom.cn> <http://www.probecom.com>

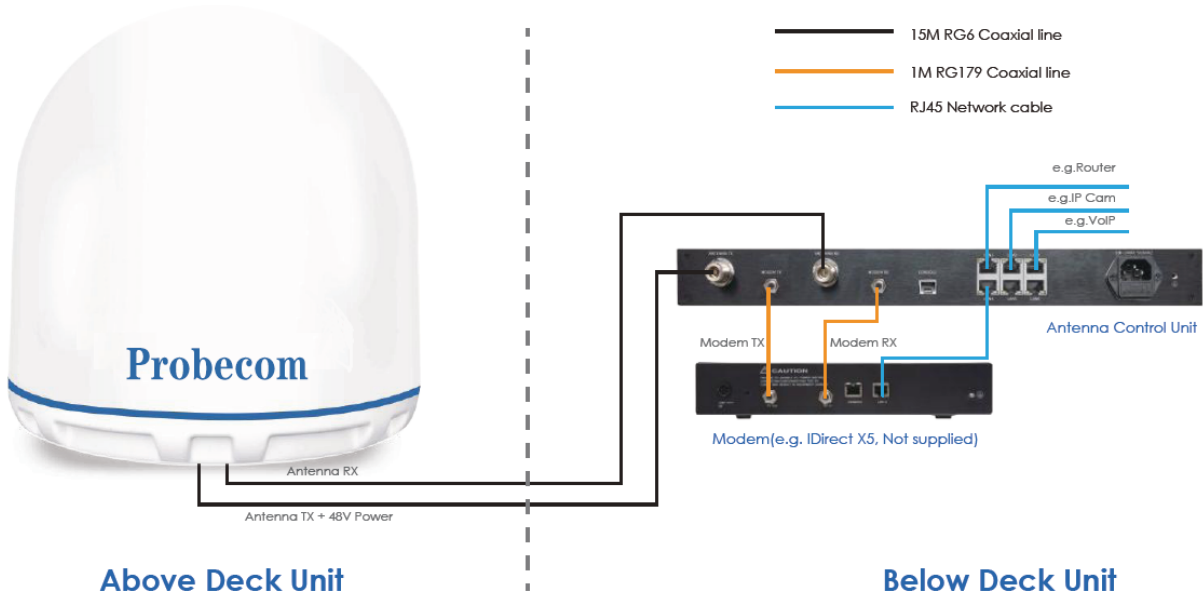
Tel:0086 29 88451625,0086 29 88451755 Fax:0086 29 88860260 E-mail:sales@probecom.cn, sales@probecom.com

Radome Dimension



PM60A

Cable Connection Diagram



Shaanxi Probecom Microwave Technology Co., Ltd

ADD: Floor 12, Inland Port Mansion, Xi'an International Trade and Logistic Park, Xi 'an, Shaanxi, China

<http://www.probecom.cn> <http://www.probecom.com>

Tel: 0086 29 88451625, 0086 29 88451755 Fax: 0086 29 88860260 E-mail: sales@probecom.cn, sales@probecom.com

Copyright©2021 Probecom